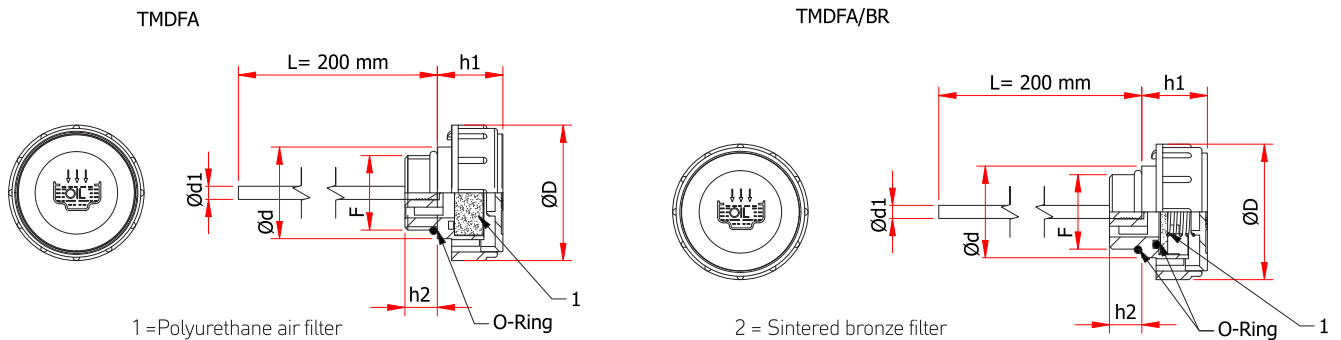


TMDA - FILLER BREATHERS WITH DIPSTICK

TMDFA - FILLER BREATHERS WITH DIPSTICK AND FILTER

TMDFA/BR - FILLER BREATHERS WITH DIPSTICK AND SINTERED BRONZE



-These filler breathers have the same characteristics as the model TMD-TMDF-TMDFA/BR, but they are equipped with a steel level dipstick with zinc phosphate surface.

-The standard dipstick is 200 mm in length, for orders that exceeds 250 pieces, the dipstick can be cut to custom length, and notches can be placed to indicate "MIN-MAX" oil level.

-**Airflow capacity:** see graphic page 43.

-**Special model FLEX:** a blade-style level dipstick can be provided upon request for adequate quantities;

-Zinc phosphated surface, laser inscriptions can also be provided upon request; the flexible dipstick is suitable for applications that require special shaped profile has to be followed.

-NPT threads available on 3/8" - 1/2" - 3/4" - 1".

Code	Code	Code	F	D	d	d1	h1	h2
TMDA/38	TMDFA/38	TMDFA/38/BR	G 3/8"	36	23	4	17	11
TMDA/12	TMDFA/12	TMDFA/12/BR	G 1/2"	41	28	4	18	12
TMDA/34	TMDFA/34	TMDFA/34/BR	G 3/4"	47	33	5	17	12
TMDA/1	TMDFA/1	TMDFA/1/BR	G 1"	52	38	5	20	12
TMDA/114	TMDFA/114	TMDFA/114/BR	G 1 1/4"	63	49	5	23	13
TMDA/112	TMDFA/112	TMDFA/112/BR	G 1 1/2"	63	55	5	23	13.5
TMDA/14.15	TMDFA/14.15	TMDFA/14.15/BR	M 14x1.5	41	28	4	21.5	12
TMDA/16.15	TMDFA/16.15	TMDFA/16.15/BR	M 16x1.5	36	23	4	17	11
TMDA/18.15	TMDFA/18.15	TMDFA/18.15/BR	M 18x1.5	41	28	4	17.5	12
TMDA/20.15	TMDFA/20.15	TMDFA/20.15/BR	M 20x1.5	41	28	4	17.5	12
TMDA/22.15	TMDFA/22.15	TMDFA/22.15/BR	M 22x1.5	41	28	4	17.5	12