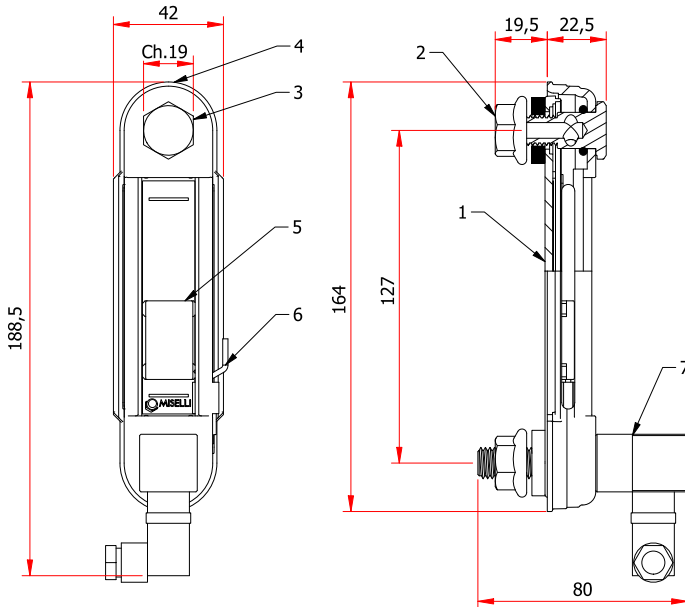


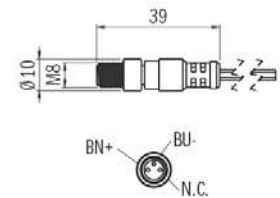
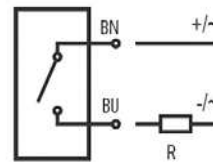
# XL/127-PLAST-SL-ST

VERTICAL LEVEL GAUGE WITH MINIMUM LEVEL AND MAXIMUM TEMPERATURE SWITCH



## COMPONENTS LIST

Item	Description
1	Transparent body
2	Flanged hex nut M12
3	Hollow bolt M12
4	Plastic guard
5	Magnetic floating element
6	REED sensor with M8 male connector
7	Max Temperature sensor



BN (+) = brown  
 BU (-) = blue  
 N.C. = not connected

- **REED switch** attached on the external guard, adjustable in height according to the level design requirement; standard switch is supplied with power cable 30 cm in length with M8 male connector. On request it is possible to provide a separate connection cable (250 cm in length) complete with female M8 connector.

- **Floating element** made in technopolymer containing a magnet that, when in proximity with the REED sensor, closes the electrical contact.

- **Preset electrical sensor with switching temperature available of 60°C/140°F or 70°C/158°F** incorporated into the zinc plated M12 bolt with adjustable DIN connector.

- **Standard executions: XL/127-PLAST-SL-ST-NO** (electrical contact normally open on the temperature sensor) and **XL/127-PLAST-SL-ST-NC** (electrical contact normally closed on the temperature sensor).

- **Operation features:** the vertical level indicator XL/127-PLAST-SL-ST in addition to allow for a visual oil level inspection, provides an electrical signal when the required temperature of the fluid inside the tank is reached (in conditions of use at room temperature of 20°C/68°F), and provides as well an electrical signal when the float element reaches the preset minimum level.

- **XL/127-PLAST-SL-ST-NO:** the level sensor closes the electrical circuit when it reaches the pre-set minimum level; the maximum temperature sensor closes the electrical circuit at the pre-set temperature threshold.

- **XL/127-PLAST-SL-ST-NC:** the level sensor closes the electric circuit when it reaches the pre-set minimum level; the maximum temperature sensor opens the circuit at the pre-set threshold temperature

## ELECTRICAL CHARACTERISTICS "REED" SWITCH

Sensor type	"REED" 2 wires
Supply voltage	3÷30 Vac/dc
Electrical contact	NO Normally open
Switching current	0,2 A
Power rating (Ohmic load)	6 W
Working temperature	-10°C / +70°C
Protection degree	IP67



NO contact



NC contact

## ELECTRICAL CHARACTERISTICS MAX TEMPERATURE ELECTRICAL SENSOR

Sensor type	Bimetal contact
Power supply	AC/DC
Electrical contact	NO Normally open NC Normally closed
Max applicable voltage	10 A / 250 Vac
Connector	Mini DIN 43650-C
Protection degree	IP65
Calibration	60°C/140°F - 70°C/158 °F
Accuracy	±5°C (data referred to a room temp. = 20°C/68°F)