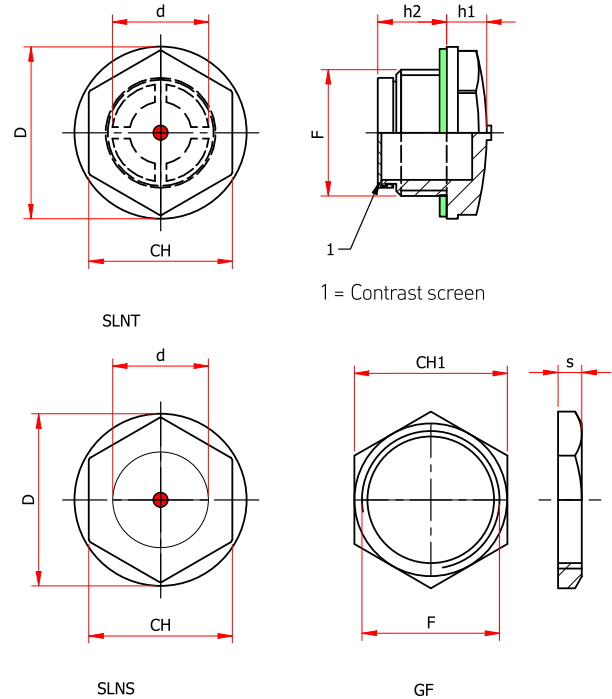


SLNS - OIL LEVEL INDICATOR

SLNT - OIL LEVEL INDICATOR WITH REFLECTOR



Threaded oil level indicator, hex head with shoulder. Utilized in oil tanks, gearboxes, hydraulic machinery and tools.

-**Material:** transparent polyamide which provides good mechanical resistance to shocks, hydraulic fluids, synthetic and mineral oils, diesel, some unleaded fuel; avoid contact with alcohol based solutions and antifreeze liquids, especially at high temperatures

-**Sealing:** flat fiber gasket.

-**Maximum working temperature:** 90°C/194°F.

Special versions

- Material -CX:** special resin resistant to fluid containing alcohol and anti-freeze liquids.
- Sealing:** flat gasket NBR 70 Shore.
- Fixing nut:** in brass, for wall thickness less than 5 mm.

Cod.	CH	F	D	d	h1	h2	Nm	CH1	s	Pack.	
SLNS/14	17	G 1/4	20,5	9	8,5	8,5	5	-	-	100	
SLNS/38	SLNT/38	18	G 3/8	22	10	7	12	7	19	5	100
SLNS/12	SLNT/12	24	G 1/2	28	13,5	8	12,5	15	27	5	100
SLNS/34	SLNT/34	30	G 3/4	36	19,5	9	14	20	32	6	50
SLNS/1	SLNT/1	36	G 1	42	23,5	10	16	25	36	6	50
SLNS/114	SLNT/114	42	G 1 1/4	51	31	10	17,5	-	46	6	25
SLNS/112	SLNT/112	50	G 1 1/2	57,5	38,5	9,5	22	-	-	-	25
SLNS/2	SLNT/2	64	G 2	74	48	12,2	20,5	-	-	-	25
SLNS/14.15		17	M14x1,5	20	9	8,5	9,5	5	-	-	100
SLNS/16.15	SLNT/16.15	18	M16x1,5	22	10	7	13	7	-	-	100
SLNS/18.15	SLNT/18.15	21	M18x1,5	25,5	12	6	12,5	10	-	-	100
SLNS/20.15	SLNT/20.15	24	M20x1,5	28	13,5	7,5	12	15	-	-	100
SLNS/22.15	SLNT/22.15	24	M22x1,5	28	14	7,5	12	15	-	-	100
SLNS/26.15	SLNT/26.15	30	M26x1,5	36	20	9	13,5	20	-	-	50
SLNS/27.15	SLNT/27.15	30	M27x1,5	36	20	9	13,5	20	-	-	50
SLNS/40.15	SLNT/40.15	42	M40x1,5	51	31	10	17,5	-	-	-	25