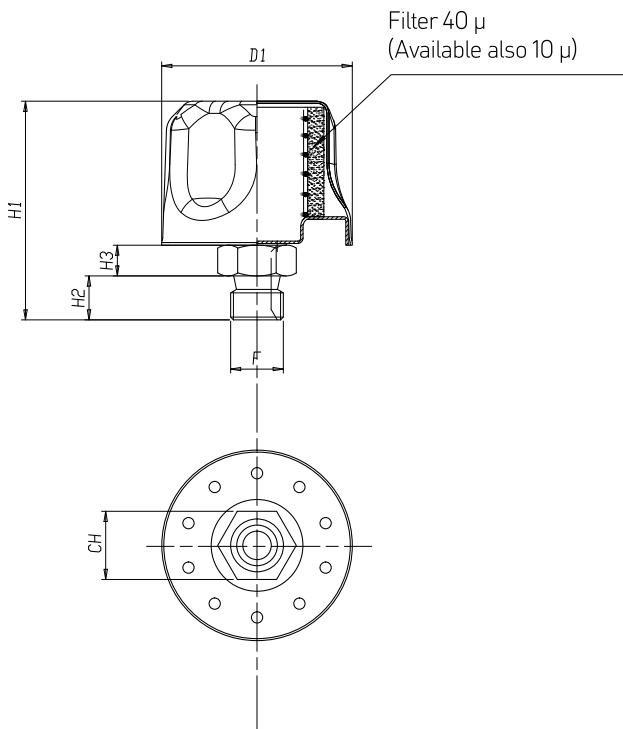


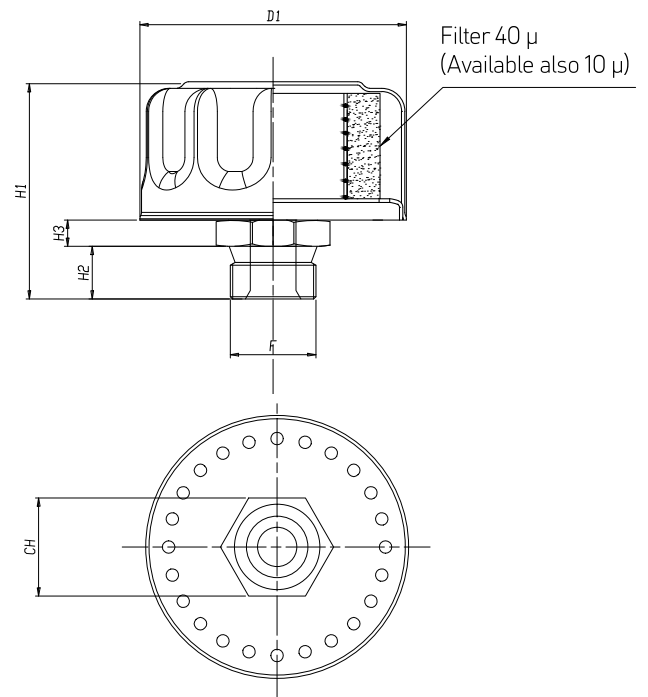
# TA - METAL FILLER BREATHERS



**TA4046**



**TA4080**



Metal filler breather screw-in version.

- **Material:** zinc plated steel with chrome-plated cap.
- **Filter:** air filter element made of polyurethane foam, filtration degree 40 microns (10 microns on request)

allowing the reservoir to breathe whilst protecting it from contamination found in dusty environments.

- **Airflow rate "P":** indicated in the table expressed in Lt/ min measured at a pressure of 50 mbar/0.73 PSI.

Cod.	F	CH	D1	H1	H2	H3	P	Weight gr	Pack.
TA4046-14	G1/4	17	46	52	10	7	130	60	10
TA4046-38	G3/8	19	46	54	12	7	168	70	10
TA4046-12	G1/2	24	46	56	14	9	175	80	10
TA4046-34	G3/4	30	46	54	16	8	170	120	10
TA4080-12	G1/2	24	80	68	14	8	670	200	10
TA4080-34	G3/4	30	80	70	16	8	680	240	10
TA4080-1	G1	36	80	74	18	10	680	300	10