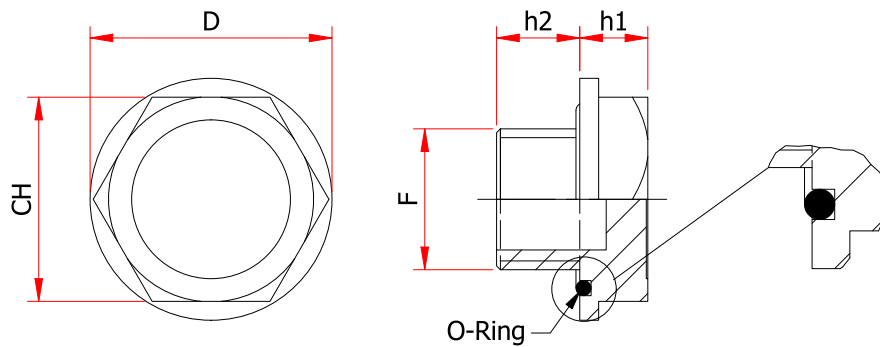


TCN/OR - PLASTIC PLUG WITH O-RING INTEGRATED



Threaded hex head oil plug.

- **Material:** Polyamide PA66 glass-fiber reinforced material, ensuring a high mechanical resistance for both low and high temperature, dimensional stability and shocks resistance.

- **Sealing:** NBR O-Ring seal 70 Shore, press fitted into a groove under the hexagon.

- **Maximum working temperature:** 100°C/212°F.

- **Max operating pressure:** 100 bar/1450 PSI (test performed in the laboratory at room temperature with ENI OSO VG hydraulic oil, report available on request).

Cod.	F	CH	D	h1	h2	Weight gr
TCN/38-OR	G 3/8"	22	25,5	8,7	9	2
TCN/12-OR	G 1/2"	27	32	9	11	5
TCN/34-OR	G 3/4"	32	37	10	13	9