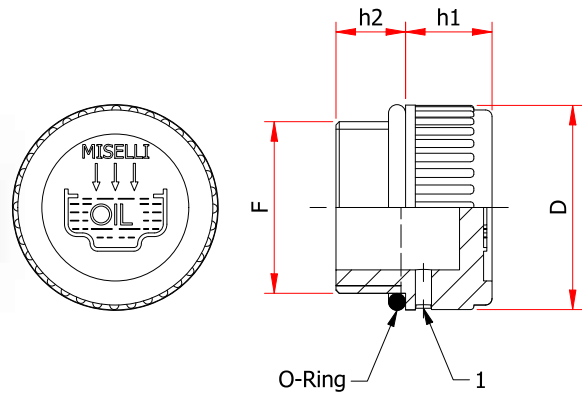


# TCZ(S) - KNURLED OIL FILL PLUG



1 = Vent hole

Threaded plug with knurled head, ensuring high mechanical resistance at both low and high temperatures.

- **Material:** Polyamide PA66.

- **Sealing:** O-Ring NBR 70 Shore.

- **Maximum working temperature:** 100°C/212°F.

- **Breather:** model TCZS has a breather hole located on the side of the hex with a diameter from 2 to 3,5 mm, depending on the size.

### Special versions

- **Color:** red.
- Thread G.1 1/2", 1 1/4" and 2" available with GASOIL or DIESEL graphic symbol moulded on the top.

Cod.	F	D	h2	h1	Pack.
TCZ/14 TCZS/14	G 1/4"	20	9	9	100
TCZ/38 TCZS/38	G 3/8"	20,5	10	9	100
TCZ/12 TCZS/12	G 1/2"	28	10,5	10,5	100
TCZ/34 TCZS/34	G 3/4"	31	11	12	50
TCZ/1 TCZS/1	G 1"	39	12	12	50
TCZ/114 TCZS/114	G 1 1/4"	49	13,5	13	25
TCZ/112 TCZS/112	G 1 1/2"	55	14,5	14,7	25
TCZ/2 TCZS/2	G 2"	68,5	16	15	25
TCZ/14.15 TCZS/14.15	M 14x1,5	20	9	9	100
TCZ/16.15 TCZS/16.15	M 16x1,5	20	10	9	100
TCZ/18.15 TCZS/18.15	M 18x1,5	28	10	10,5	100
TCZ/20.15 TCZS/20.15	M 20x1,5	28	10	10,5	100
TCZ/22.15 TCZS/22.15	M 22x1,5	28	10	10,5	100