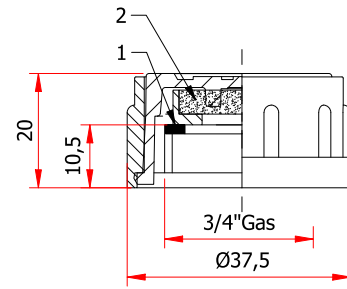
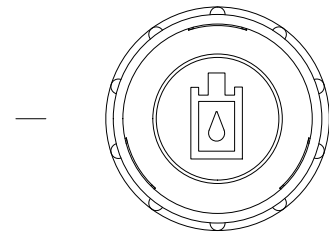


TF - FILLER BREATHER WITH FILTER, INTERNAL THREAD



1 = NBR flat seal
2 = Air filter



Plastic filler breather with air filter and 3/4" BSP internal thread, designed for use on plastic molded tanks. The internal thread allows mounting on to a molded external thread. It makes the design and manufacturing of the plastic tank easier.

- **Material:** Polyamide PA66.
- **Filter:** polyurethane foam filter element prevents

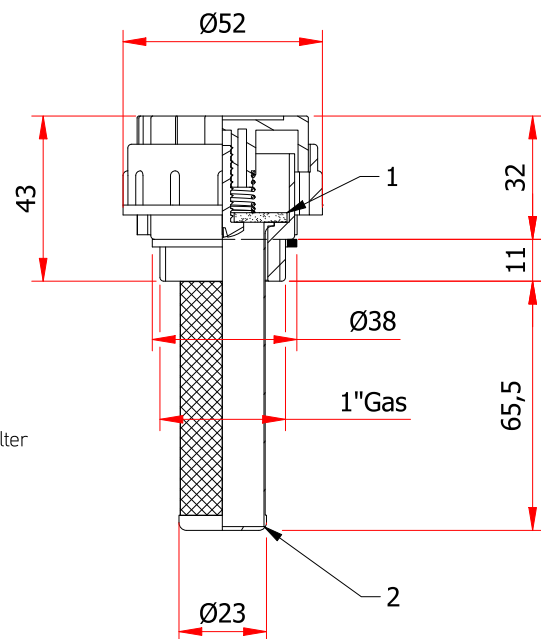
contaminations from the ambient atmosphere polluting the oil.

- **Sealing:** flat gasket NBR 70 Shore.
- **Maximum working temperature:** 100°C/212°F.
- **Airflow capacity:** up to 100 Lt/min (data measured with a pressure difference between outside and inside of 110 mbar).

TMDF/1/BRC - FILLER BREATHER WITH METAL STRAINER



1 = Sintered bronze filter
2 = Metal strainer



Plastic filler breather, suitable for application on small/ medium sized tanks. Oil filling is done by pulling directly the quick release cap placed on top. The presence of the strainer allows, in the phase of filling, to preserve the tank from the entrance of impurity.

- **Material:** Polyamide PA66.

- **Filter:** bronze sintered air filter (filtration degree 30 microns) and filtering stainless steel strainer (300 µ filtration degree).

- **Airflow capacity:** up to 500 Lt/min (data measured with a pressure difference between outside and inside of 110 mbar).