

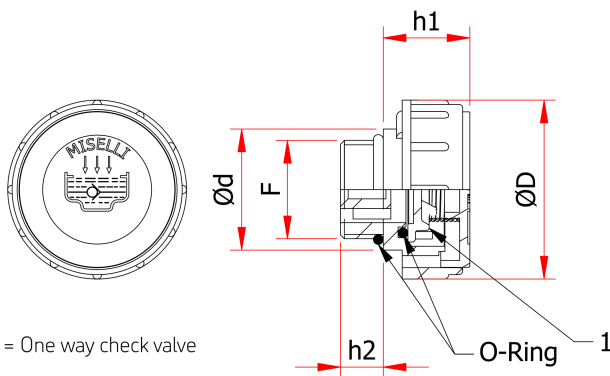
## TMDV - FILLER BREATHER WITH ONE WAY AIR VENT VALVE

## TMDAV - FILLER BREATHER WITH ONE WAY AIR VENT VALVE AND DIPSTICK

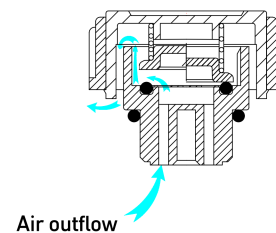


TMDAV

TMDV



1 = One way check valve



Air outflow

Threaded filler breather, cylindrical head, with easy grip vertical ribs, ensuring high mechanical resistance at both low and high temperatures, dimensional stability and shocks resistance. It allows air passage at high volume, through the vents located on the bottom of the head. This article equipped with one-way valve is made for those applications where air breathe out only. Recommended for compressor housing and gearboxes.

-**Material:** Polyamide PA66.

-**Sealing:** O-ring NBR 70 Shore.

-**Maximum working temperature:** 100°C/212°F.

-**Check valve:** set around at 0.30 bar/4.3 PSI, allows the vent and prevents the entry of impurities inside and oil leakage.

-**Level dipstick:** cylindrical section with zinc steel phosphated surface, standard length 195 mm (± 5).

### Special versions

-**Level dipstick:** customizable length, with MIN-MAX notches.

-**Check valve:** set around at 0.10 bar/1.5 PSI.

|  | Cod.                   | F        | D  | d  | h1   | h2 | Pack. |
|--|------------------------|----------|----|----|------|----|-------|
|  | TMDV/38 TMDAV/ 38      | G 3/8"   | 36 | 23 | 21   | 11 | 100   |
|  | TMDV/12 TMDAV/12       | G 1/2"   | 41 | 28 | 21   | 12 | 100   |
|  | TMDV/34 TMDAV/34       | G 3/4"   | 47 | 33 | 22   | 12 | 50    |
|  | TMDV/1 TMDAV/1         | G 1"     | 52 | 38 | 25   | 12 | 50    |
|  | TMDV/114 TMDAV/114     | G 1 1/4" | 63 | 49 | 29   | 13 | 25    |
|  | TMDV/14.15 TMDAV/14.15 | M 14x1,5 | 41 | 28 | 21,5 | 12 | 100   |
|  | TMDV/16.15 TMDAV/16.15 | M 16x1,5 | 36 | 23 | 21   | 11 | 100   |
|  | TMDV/18.15 TMDAV/18.15 | M 18x1,5 | 41 | 28 | 21   | 12 | 100   |
|  | TMDV/20.15 TMDAV/20.15 | M 20x1,5 | 41 | 28 | 21   | 12 | 100   |
|  | TMDV/22.15 TMDAV/22.15 | M 22x1,5 | 41 | 28 | 21   | 12 | 100   |