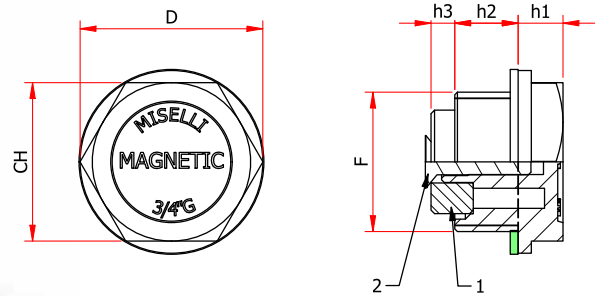


## TM - DRAIN PLASTIC PLUG WITH MAGNET



1 = Magnet  
 2 = Fixing rivet

Threaded hex head oil plug that can be fitted on the bottom of the transmission or tank, to be used as drain plug; the magnet attract ferrous metal parts, preventing damage to gears and others moving components.

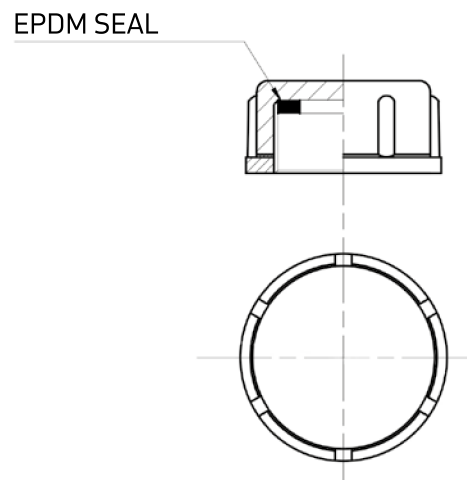
-**Material:** Polyamide PA66.

-**Sealing:** flat fiber gasket.

-**Maximum working temperature:** 100°C/212°F.

Cod.	F	CH	D	h3	h2	h1
TM/14	G 1/4"	17	20	5	9	7
TM/38	G 3/8"	18	22	10	10	7,5
TM/12	G 1/2"	24	27	9	11	8
TM/34	G 3/4"	30	34	6,5	11	9
TM/1	G 1"	35	42	14	12	10,5

## TF/C - BLANKING CAP WITH INTERNAL THREAD



Blanking cap with internal thread designed for plastic tanks.

-**Material:** Nylon.

-**Sealing:** internal flat gasket in EPDM, on enquiry.

-**Maximum working temperature:** 90°C/194°F.

-**Thread sizes:** G.1/4", 3/8", 1/2", 3/4", 1", 1 1/4", 1 1/2", 2", 2 1/2", 3".