

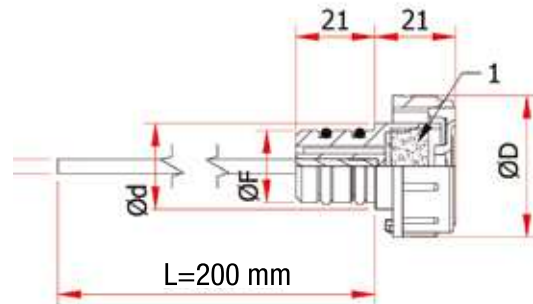
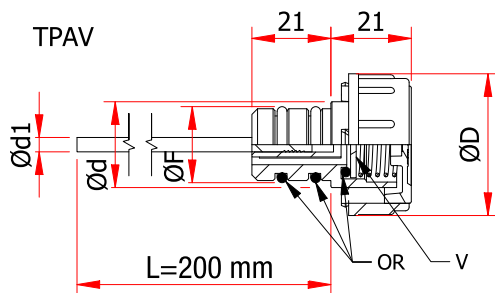
TPA – PUSH-FIT FILLER BREATHER WITH DIPSTICK

TPFA (BR) – PUSH-FIT FILLER BREATHER WITH FILTER AND DIPSTICK

TPAV – PUSH-FIT FILLER BREATHER WITH VENT VALVE AND DIPSTICK



1 = Air filter
 V = One way check valve



Filler breather, with easy grip vertical ribs, ensuring high mechanical resistance at both low and high temperatures, dimensional stability and shocks resistance. Push fit mounting into drilled hole (refer to corresponding sizes shown in the table below) tolerance $\pm 0,1$ mm with $1/45^\circ$ chamfer.

-**Material:** Polyamide PA66.

-**Sealing:** two O-rings NBR 70 Shore.

-**Maximum working temperature:** 100°C/212°F.

-**Level dipstick:** cylindrical section with zinc steel phosphated surface, standard length 200 mm (± 5).

Special versions

- Level dipstick:** customizable length with MIN-MAX notches.
- Lid:** possible customization of color, logo or neutral version.

TPFA: with large breathing capacity, it is suggested to be used where an high volume of airflow takes place; not recommended for usage on mobile equipment, where strong movement of the oil tank is present.

-**Filter:** Polyurethane air filter located under the lid.

-**Bronze filter:** where the vent hole is subjected to strong oil splashes, especially during the starting of the machine when the oil is still thick, sintered bronze filter (30 microns filtration degree) allows the air to flow but stops fluid overflowing.

TPAV: used in applications where a certain pressure needs to be maintained into the tank.

-**Check valve:** opens at a pressure of about 0.30 bar and close reset at similar pressure. It allow air to vent out under the above conditions, but does not allow air to move back in, preventing dust particles or other forms of contamination from the atmosphere to enter the oil.

Cod.	Cod.	Cod.	F	D	d	d1	Pack.
TPA/18	TPFA/18	TPAV/18	18	36	23	4	100
TPA/20	TPFA/20	TPAV/20	20	36	24	4	100
TPA/26	TPFA/26	TPAV/26	26	41	28	4	50
TPA/30	TPFA/30		30	47	33	5	50