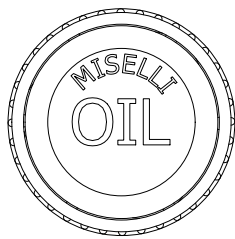


TPB - "LOW PROFILE" PUSH-FIT FILLER PLUG

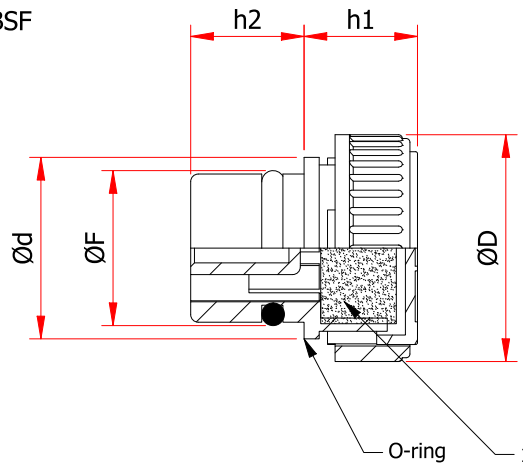
TPBS - "LOW PROFILE" PUSH-FIT FILLER BREATHER

TPBSF - "LOW PROFILE" PUSH-FIT FILLER BREATHER WITH FILTER



1 = Air filter

TPBSF



Knurled "low-profile" filler plug, applied where overhead space is limited. Push-fit mounting into drilled hole (refer to corresponding sizes shown in the table below) tolerance  $\pm 0,1$  mm with  $1/45^\circ$  chamfer.

- **Material:** Polyamide PA66.

- **Sealing:** O-ring NBR 70 Shore.

- **Maximum working temperature:** 100°C/212°F.

- **Breather:** six vents located on the bottom of plug's head.

- **Filter:** Polyurethane air filter located under the lid.

### Special versions

**Lid:** possible customization of color, logo or neutral version.

Cod.	Cod.	Cod.	F	D	d	h1	h2	Pack.
TPB/18	TPBS/18	TPBSF/18	18	30	23	14,5	14	100
TPB/20	TPBS/20	TPBSF/20	20	30	24	14,5	15,5	100
TPB/26	TPBS/26	TPBSF/26	26	30	30	15,5	16,3	50
TPB/30	TPBS/30	TPBSF/30	30	30	34	15,5	16,3	50