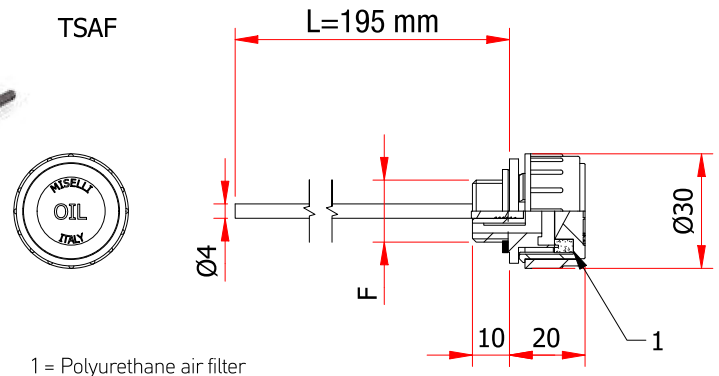
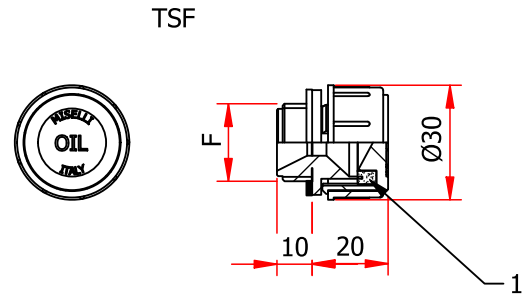


TSF(BR) - FILLER BREATHER WITH FILTER

TSAF(BR) - FILLER BREATHER WITH FILTER AND DIPSTICK



Threaded filler breather, cylindrical head 30 mm \varnothing , with easy grip vertical ribs, ensuring high mechanical resistance at both low and high temperatures, dimensional stability and shocks resistance.

- **Material:** Polyamide PA66.
- **Sealing:** flat gasket NBR 70 Shore.
- **Maximum working temperature:** 100°C/212°F.
- **Filter:** Polyurethane air filter located under the lid.
- **Bronze filter:** where the vent hole is subjected to strong oil splashes, especially during the starting of the machine when the oil is still thick, sintered bronze filter (30 microns filtration degree) allows the air to flow but stops fluid overflowing.

- **Level dipstick:** cylindrical section with zinc steel phosphated surface, standard length 195 mm (± 5).

- **Airflow rate "P":** indicated in the table expressed in Lt/min measured at a pressure of 50 mbar/0.73 PSI.

Special versions

- **Level dipstick:** customizable length with MIN-MAX notches.
- **Lid:** possible customization of color, logo or neutral version.
- All sizes are also available with conical thread.

Cod.	P	Cod.	P	F	Pack.
TSF/14	60	TSAF/14	60	G 1/4"	100
TSF/38	70	TSAF/38	78	G 3/8"	100
TSF/12	60	TSAF/12	75	G 1/2"	100

Cod.	F	P	Pack.	
TSF/14/BR	TSAF/14/BR	G 1/4"	40	100
TSF/38/BR	TSAF/38/BR	G 3/8"	30	100
TSF/12/BR	TSAF/12/BR	G 1/2"	20	100