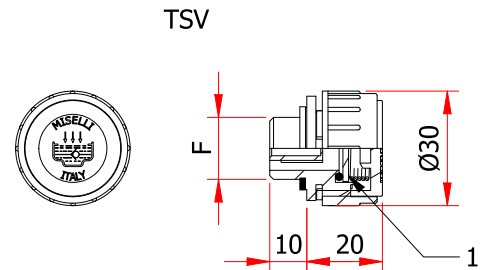
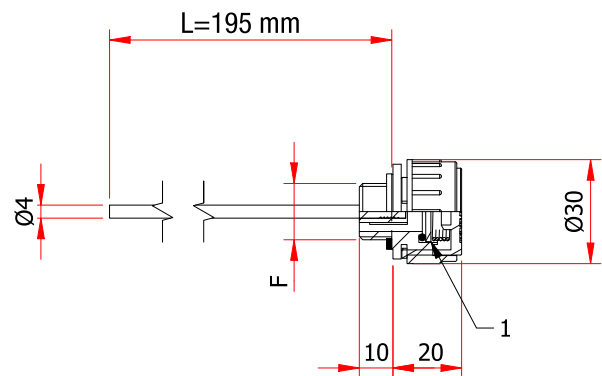


TSV - FILLER BREATHER WITH VALVE

TSAV - FILLER BREATHER WITH VALVE AND DIPSTICK



1 = Air relief valve



1 = Air relief valve

Threaded filler breather, cylindrical head 30 mm \varnothing , with easy grip vertical ribs, ensuring high mechanical resistance at both low and high temperatures, dimensional stability and shocks resistance. It is used in applications where a certain pressure needs to be maintained into the tank. Extensively used in small oil tanks, gearboxes, gear reducers, torque multipliers and transmissions.

- **Material:** Polyamide PA66.
- **Sealing:** flat gasket NBR 70 Shore.
- **Maximum working temperature:** 100°C/212°F.
- **Check valve:** opens at a pressure of about 0.25 bar/3.6 PSI and closes reset at similar pressure. It allows air to vent

out under the above conditions, but does not allow air to move back in, preventing dust particles or other forms of contamination from the atmosphere to enter the oil.

- **Level dipstick:** cylindrical section with zinc steel phosphated surface, standard length 195 mm (\pm 5).

Special versions

- **Level dipstick:** customizable length with MIN-MAX notches.
- **Lid:** possible customization of color, logo or neutral version.
- All sizes are also available with conical thread.

Cod.	F	Pack.
TSV/14 TSAV/14	G 1/4"	100
TSV/38 TSAV/38	G 3/8"	100
TSV/12 TSAV/12	G 1/2"	100