

XL - VERTICAL LEVEL GAUGE WITH METAL CASING

XLT - VERTICAL LEVEL GAUGE WITH THERMOMETER AND METAL CASING



XL/05

XL/05-VL

XL/05T-PLAST

External protection made from painted steel

External protection made from PA66 30% fiberglass

Vertical level gauge designed for use on tanks and power packs of hydraulic fluids and fuel with good visibility, even lateral. The body of the level gauge is made by ultrasonically welding two halves together to ensure a leak free seal around the body. Inside it is fitted a white screen with minimum and maximum level indications.

- **Material:** transparent polyamide which provides good mechanical resistance to shocks, hydraulic fluids, synthetic and mineral oils, diesel and some unleaded fuel. Avoid contact with alcohol based solutions and antifreeze liquids, especially at high temperatures.

- **Sealing:** O-rings and flat rubber washers NBR 80 Shore.

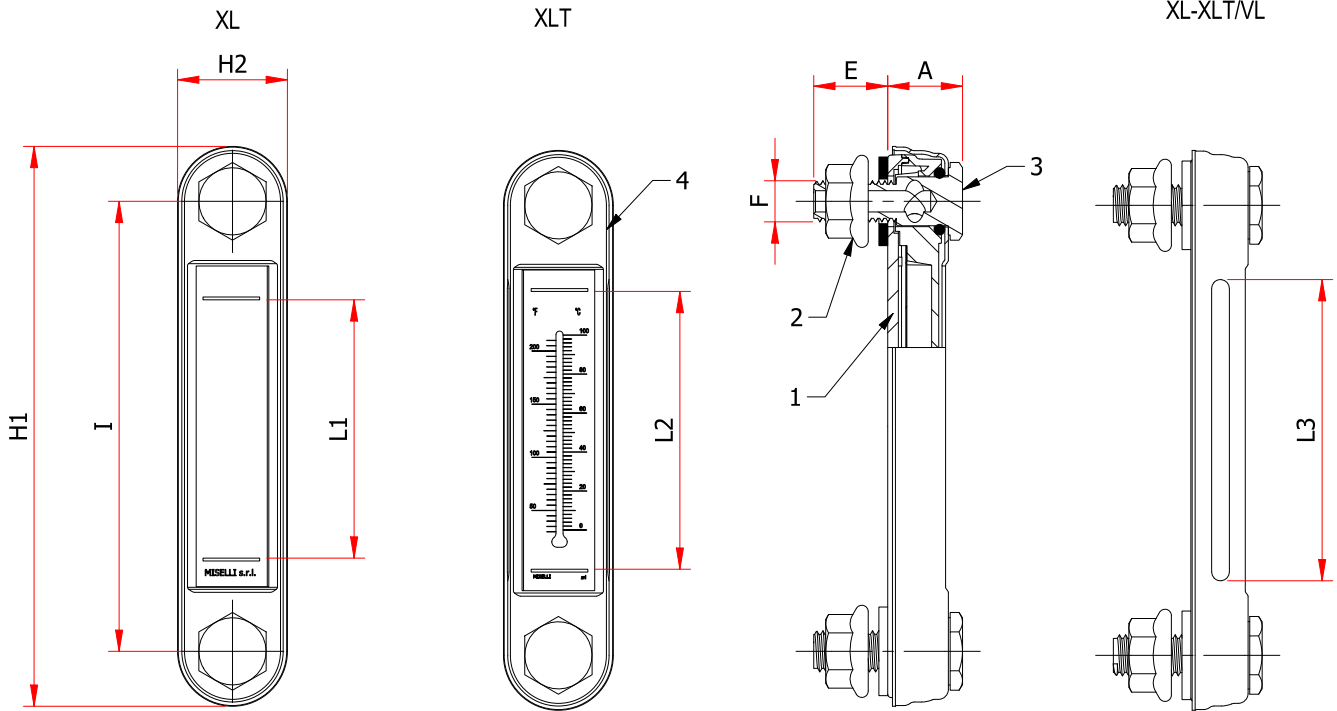
- **Bolts and flanged nuts:** zinc plated steel.

- **External case:** painted black steel.

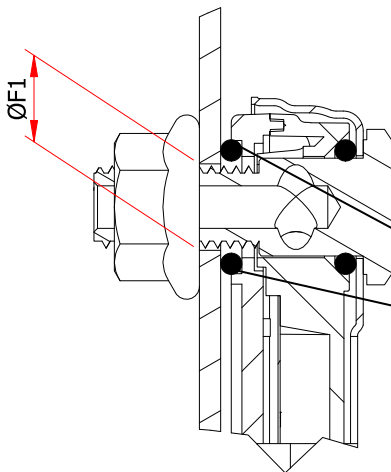
- **Thermometer:** possibility to check both the fluid level and its temperature by a inside capillary thermometer scaled in degree Celsius 0-100° C and Fahrenheit 50-200°F (Model XL/03T 0-80°C/50-175°F).

- **Max working temperature:** 90°C/194°F (test made up 3 bar /43,5 PSI of pressure). In case of use under pressure and/or temperature conditions, contact the technical service Miselli srl.

- **Assembling instructions:** the mounting of the level gauge can be made externally by providing 2 threaded holes M10 or M12 on 76-127 mm centre distance, tolerance ± 0.2 mm. Alternatively they can be secured internally through 2 plain holes $\varnothing 10.2$ mm or $\varnothing 12.2$ mm using the flanged nuts provided. Maximum tightening suggested 3 Nm.



- 1 = Transparent main body
- 2 = Flanged hex nut
- 3 = Hollow bolt
- 4 = External case



Special versions

- XL-T/CX** made from special resin resistant to fluid containing alcohol and anti-freeze liquids.
- XL-T/RB** with floating red ball to improve the visibility of the fluid level of light colored liquids.
- XL-T/PLAST** with external casing made from polyamide 66 30% fiberglass reinforced.
- XL-T/OR** back seal provided through O-Ring in NBR synthetic rubber.
- XL-T/V** sealing FKM type VITON®.
- XL-T/VL** with external casing with side openings to allow visibility from both sides.
- XL-T/UVR** made from special resin resistant to UV rays.
- XL-T/INOX** provided with stainless steel nuts and bolts suitable for applications in corrosive environments such as marine.

Cod.	I	H1	H2	F	E	A	L1	L2	ØF1	L3	Weight gr	Pack.
XL/03	76	107	31	M10-M12	17,5	24,5	37		10,2-12,2	34	135	5
XL/03T	76	107	31	M10-M12	17,5	24,5		37	10,2-12,2	34	135	5
XL/05	127	158	31	M10-M12	17,5	24,5	73		10,2-12,2	85	187	5
XL/05T	127	158	31	M10-M12	17,5	24,5		78	10,2-12,2	85	187	5