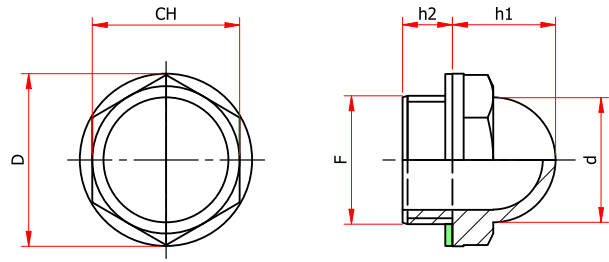


LSB - DOME SHAPED OIL LEVEL GLASS



Dome shaped transparent level glass, enabling oil level to be read from any angle.

-**Material:** transparent polyamide which provides good mechanical resistance to shocks, hydraulic fluids, synthetic and mineral oils, diesel, some unleaded fuel; avoid contact with alcohol based solutions and antifreeze liquids, especially at high temperatures.

-**Maximum working temperature:** 90°C/194°F.

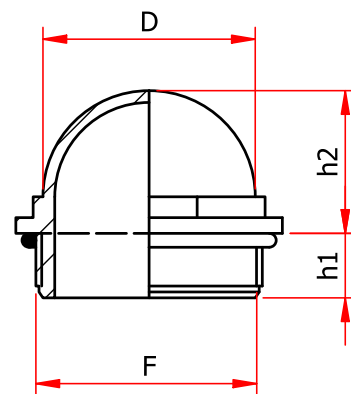
-**Sealing:** flat fiber gasket.

Special version

Sealing: flat gasket NBR 70 Shore.

Cod.	F	CH	D	d	h1	h2	Nm	Weight gr	Pack.
LSB/38	G 3/8"	19	22	15	14	10	6	4	100
LSB/12	G 1/2"	24	28	20	18	10	10	5	100
LSB/34	G 3/4"	30	35	25	20	10	15	8	50
LSB/1	G 1"	36	42	31	24	10,5	20	17	50
LSB/20.15	M 20x15	24	28	20	18	10	10	4	100

CF - DOME SHAPED FLUID LEVEL INDICATOR



Dome shaped transparent level glass, enabling oil level to be read from any angle. This product is utilized on trucks/tankers and large reservoir containing liquids, especially in agricultural machinery.

-**Material:** thermoplastic resin for optimal shock resistance and high strenght.

-**Sealing:** on request, O-ring NBR 70 Shore (codes OR/2 - OR/3).

-**Maximum working temperature:** 70°C/158°F.

Cod.	F	D	h1	h2	Weight gr
CF/2	G 2"	59	22	32	45
CF/3	G 3"	85	32	63	135