

TF - FILLER BREATHER CAP INTERNAL THREAD

TFA - FILLER BREATHER CAP INTERNAL THREAD WITH DIPSTICK



Filler breather with internal thread, screw mounting.

- **Material:** Polyamide PA66.
- **Sealing:** flat gasket NBR 70 Shore.
- **Maximum working temperature:** 100°C/212°F.
- **Filter:** polyurethane foam filter.

Cod.		F	Pack.
TF/2	TFA/2	G 2"	10
TF/60.2	TFA/60.2	M60x2	10

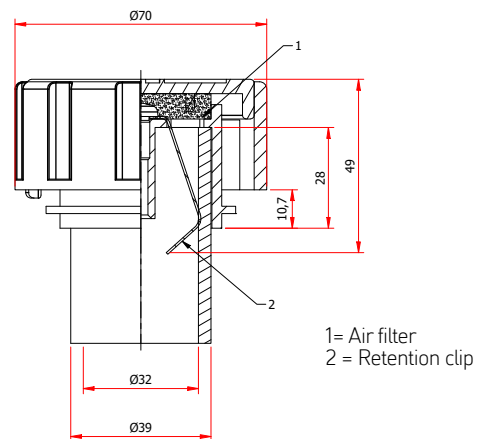
- **Level dipstick:** cylindrical section with zinc steel phosphated surface, standard length 180 mm (± 5).

- **Airflow capacity:** up to 75 Lt/min (data measured with a pressure difference between outside and inside of 275 mbar).

Special versions

- **Level dipstick:** customizable length, with MIN-MAX notches.

NYPO-24 - PUSH-FIT FILLER BREATHER



Filler breather with spring retention clip to suit 39 mm Ø and 32 mm Ø steel tube.

- **Material:** Polyamide PA66.
- **Maximum working temperature:** 100°C/212°F.

- **Filter:** polyurethane foam filter.

- **Airflow capacity:** up to 750 Lt/min (data measured with a pressure difference between outside and inside of 275 mbar).