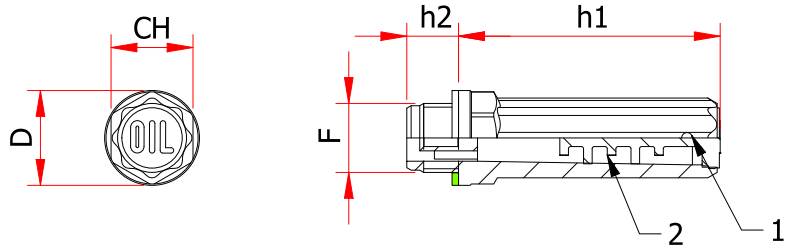


TK - EXTENDED FILLER PLUG WITH BUILT-IN LABYRINTH OVERFLOW PROTECTION



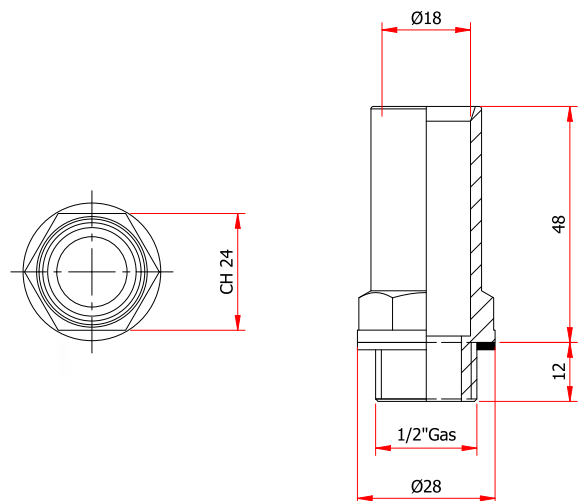
1 = Breather hole
 2 = Internal labyrinth

Threaded extended plug with labyrinth vane located in its body, designed for applications where there is a considerable movement of oil and consequent danger of oil leaks from the breather hole (\varnothing 2,5 mm). Hex bottom allows tightening by wrench. The combined action of the internal splash guards and the raised position of the vent hole at the top of the cylinder protects against oil leakages.

- **Materiale:** Polyamide PA66.
- **Sealing:** flat fiber gasket.
- **Maximum working temperature:** 100°C/212°F.

Cod.	F	CH	D	h1	h2	Weight gr	Pack.
TK/14	G 1/4"	17	20	55	12	9	100
TK/38	G 3/8"	19	22	60	12	12	100
TK/12	G 1/2"	22	28	65	12	18	100
TK/16.15	M 16x1,5	19	22	60	12	13	100
TK/18.15	M 18x1,5	19	22	60	12	13	100

PFP - THREADED EXTENSION FOR PRESS-FIT BREATHER PLUG



Extension casing with bottom thread 1/2" BSP male, and top hole 18 mm diameter for press-fit component; it can be used combined with our filler breather TP-TPBS-ALS/18. Due to this extension, the breather hole in the press-fit breather is located at an raised position, helping to reduce overflow of oil.

- **Sealing:** flat fiber gasket.
- **Maximum working temperature:** 100°C/212°F.

- **Materiale:** Polyamide PA66.

Special versions

Sealing: O-ring or flat rubber gasket NBR 70 Shore.