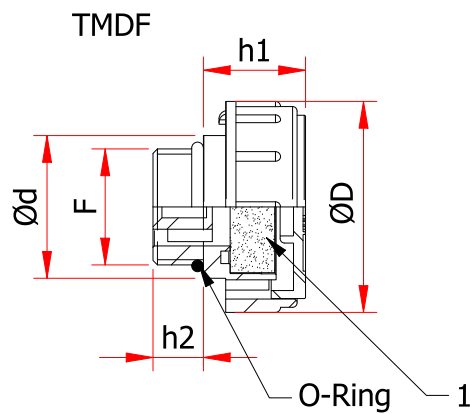
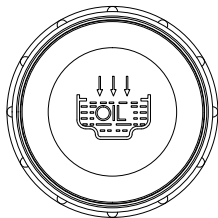


TMD - FILLER BREATHER

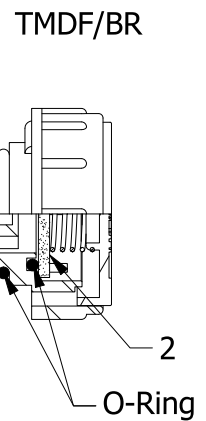
TMDF(BR) - FILLER BREATHER WITH FILTER



plastic filler breathers

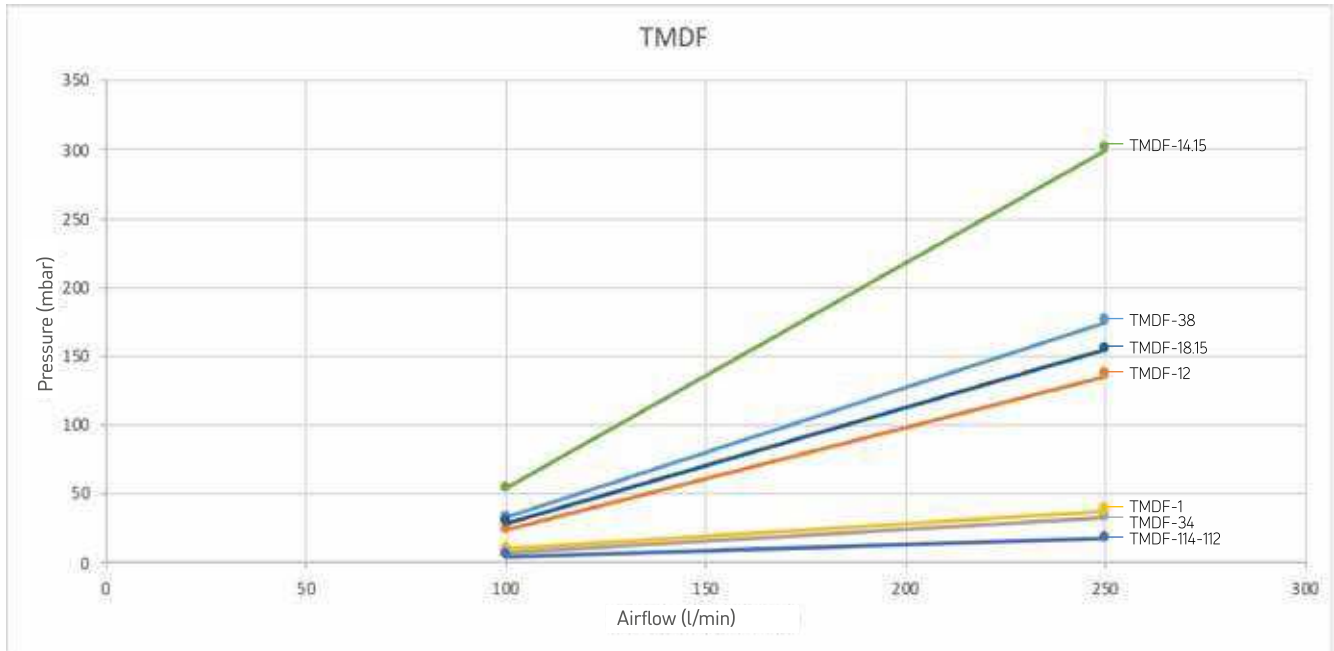


1 = Polyurethane air filter



2 = Sintered bronze filter

Cod.	Cod.	Cod.	F	D	d	h1	h2	Pack.
TMD/38	TMDF/38	TMDF/38/BR	G 3/8"	36	23	21	11	100
TMD/12	TMDF/12	TMDF/12/BR	G 1/2"	41	28	21	12	100
TMD/34	TMDF/34	TMDF/34/BR	G 3/4"	47	33	22	12	50
TMD/1	TMDF/1	TMDF/1/BR	G 1"	52	38	25	12	50
TMD/114	TMDF/114	TMDF/114/BR	G 1 1/4"	63	49	29	13	25
TMD/112	TMDF/112	TMDF/112/BR	G 1 1/2"	63	55	29	13,5	25
TMD/14.15	TMDF/14.15	TMDF/14.15/BR	M 14x1,5	41	28	21,5	12	100
TMD/16.15	TMDF/16.15	TMDF/16.15/BR	M 16x1,5	36	23	21	11	100
TMD/18.15	TMDF/18.15	TMDF/18.15/BR	M 18x1,5	41	28	21	12	100
TMD/20.15	TMDF/20.15	TMDF/20.15/BR	M 20x1,5	41	28	21	12	100
TMD/22.15	TMDF/22.15	TMDF/22.15/BR	M 22x1,5	41	28	21	12	100



plastic filler breathers

Threaded filler breather, cylindrical head, with easy grip vertical ribs, ensuring high mechanical resistance at both low and high temperatures, dimensional stability and shocks resistance. It allow air passage at high volume, through the vents located on the bottom of the head; recommended to be used in systems where frequent oil level changes take place in short amount of time, allowing the air to enter and leave the system, without any unwanted air pressure increase or decrease.

- Material:** Polyamide PA66.
- Sealing:** O-ring NBR 70 Shore.
- Maximum working temperature:** 100°C/212°F.
- Filter:** polyurethane foam filter element prevents contaminations from the ambient atmosphere polluting the oil.

-**Bronze filter:** where the vent hole is subjected to strong oil splashes, especially during the starting of the machine when the oil is still thick, sintered bronze filter (30 microns filtration degree) allows the air to flow but stops fluid overflowing.

Special versions

- Sizes G. $\frac{1}{4}$ ", $\frac{3}{8}$ ", $\frac{1}{2}$ ", $\frac{3}{4}$ " and 1" are also available with conical thread.
- Lid:** on request, models G.1 $\frac{1}{4}$ " and G.1 $\frac{1}{2}$ " have an option for a yellow lid, available with text "DIESEL". For other models, possible customization of color, logo or neutral version.