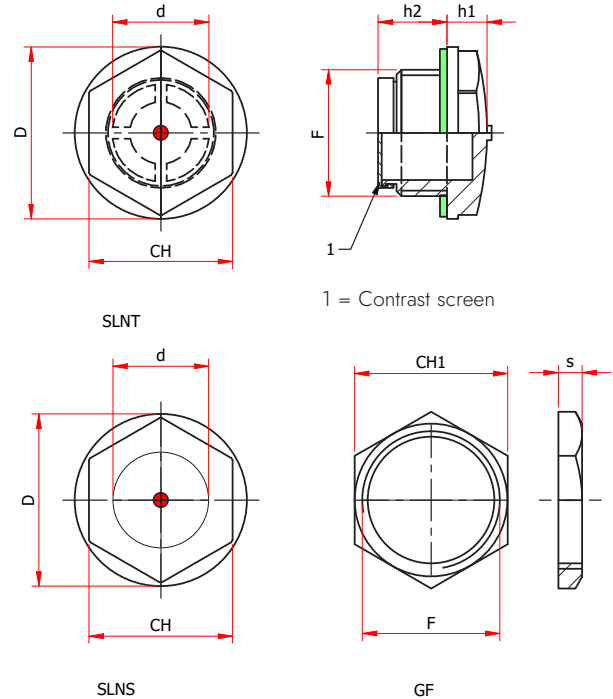


SLNS - OIL LEVEL INDICATOR

SLNT - OIL LEVEL INDICATOR WITH REFLECTOR



Threaded oil level indicator, hex head with shoulder. Utilized in oil tanks, gearboxes, hydraulic machinery and tools.

Material: transparent polyamide which provides good mechanical resistance to shocks, hydraulic fluids, synthetic and mineral oils, diesel, some unleaded fuel; avoid contact with alcohol based solutions and antifreeze liquids, especially at high temperatures

Sealing: flat fiber gasket.

Maximum working temperature: 90°C/194°F.

Special versions

Material -CX: special resin resistant to fluid containing alcohol and anti-freeze liquids.

Sealing: flat gasket NBR 70 Shore.

Fixing nut: in brass, for wall thickness less than 5 mm.

	Cod.	CH	F	D	d	h1	h2	Nm	CH1	s	Pack.
	SLNS/14	17	G 1/4	20,5	9	8,5	8,5	5	-	-	100
	SLNS/38	SLNT/38	G 3/8	22	10	7	12	7	19	4	100
	SLNS/12	SLNT/12	G 1/2	28	13,5	8	12,5	15	25	4.5	100
	SLNS/34	SLNT/34	G 3/4	36	19,5	9	14	20	32	5	50
	SLNS/1	SLNT/1	G 1	42	23,5	10	16	25	36	5	50
	SLNS/114	SLNT/114	G 1 1/4	51	31	10	17,5	-	46	5	25
	SLNS/112	SLNT/112	G 1 1/2	57,5	38,5	9,5	22	-	-	-	25
	SLNS/2	SLNT/2	G 2	74	48	12,2	20,5	-	-	-	25
	SLNS/14.15		M14x1,5	20	9	8,5	9,5	5	-	-	100
	SLNS/16.15	SLNT/16.15	M16x1,5	22	10	7	13	7	-	-	100
	SLNS/18.15	SLNT/18.15	M18x1,5	25,5	12	6	12,5	10	-	-	100
	SLNS/20.15	SLNT/20.15	M20x1,5	28	13,5	7,5	12	15	-	-	100
	SLNS/22.15	SLNT/22.15	M22x1,5	28	14	7,5	12	15	-	-	100
	SLNS/26.15	SLNT/26.15	M26x1,5	36	20	9	13,5	20	-	-	50
	SLNS/27.15	SLNT/27.15	M27x1,5	36	20	9	13,5	20	-	-	50
	SLNS/40.15	SLNT/40.15	M40x1,5	51	31	10	17,5	-	-	-	25
	SLNS/42.15	SLNT/42.15	M42x1,5	51	31	10	17,5	-	-	-	25