

## TF - FILLER BREATHER CAP INTERNAL THREAD

## TFA - FILLER BREATHER CAP INTERNAL THREAD WITH DIPSTICK



plastic filler breathers

Filler breather with internal thread, screw mounting.

**Material:** Polyamide PA66.

**Sealing:** flat gasket NBR 70 Shore.

**Maximum working temperature:** 100°C/212°F.

**Filter:** polyurethane foam filter.

Cod.	F	Pack.
TF/2	G 2"	10
TF/60.2	M60x2	10

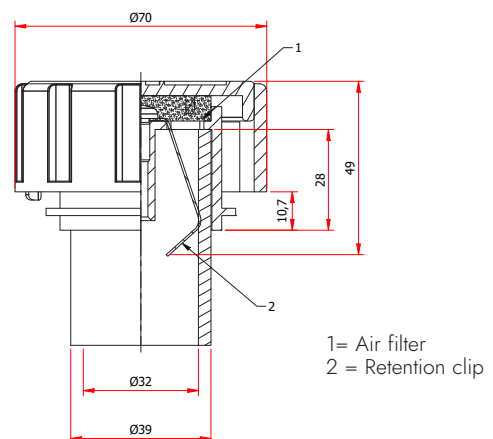
**Level dipstick:** cylindrical section with zinc steel phosphated surface, standard length 180 mm (± 5).

**Airflow capacity:** up to 75 Lt/min (data measured with a pressure difference between outside and inside of 275 mbar).

### Special versions

**Level dipstick:** customizable length, with MIN-MAX notches.

## NYPO-24 - PUSH-FIT FILLER BREATHER



Filler breather with spring retention clip to suit 39 mm  $\varnothing$  and 32 mm  $\varnothing$  steel tube.

**Material:** Polyamide PA66.

**Maximum working temperature:** 100°C/212°F.

**Filter:** polyurethane foam filter.

**Airflow capacity:** up to 750 Lt/min (data measured with a pressure difference between outside and inside of 275 mbar).